

Automatic V Series



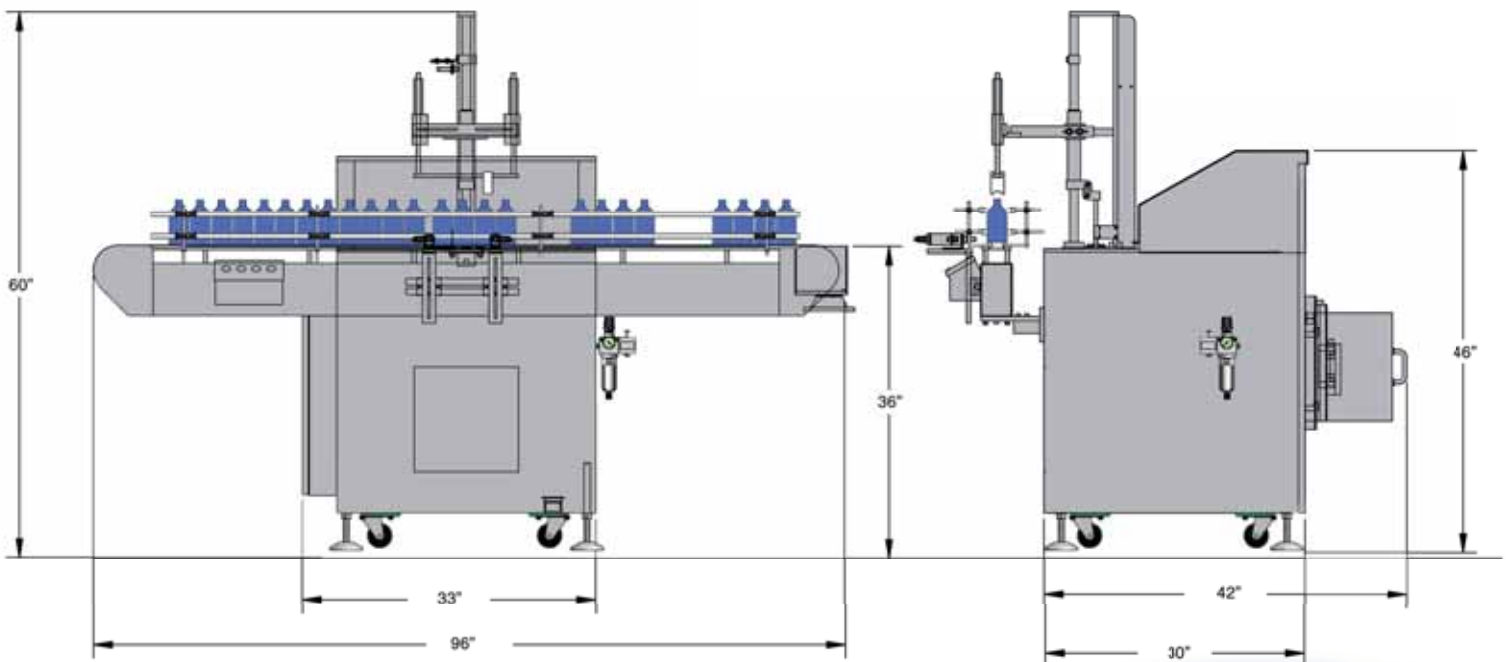
- Accommodates Free-Flowing to Viscous Products and a Variety of Container Sizes and Shapes
- Optional Air Motor Drive Available for Hazardous Environments
- Expandable Design
- Tool-less Changeover
- Bottom-Up, Locate, and Static Fill Modes for Nozzle Position Control
- Quick Volume Adjustment
- Programmable Controller
- Optional HMI Touchscreen

V Series Specifications

Additional V Series Features:

- 💧 Simple to Operate
- 💧 Free Standing Unit with Stainless Steel Frame
- 💧 Built-in Jack Screws for Leveling
- 💧 Fill Accuracy $\pm 0.5\%$
- 💧 Rates: V-300 up to 200 cpm and V-480 up to 300 cpm

Type of Filling Unit	Number of Filling Units	
	V-300	V-480
FUS (XL) 80 FKS (XL) 80	12	22
FUS (XL) 140 FKS (XL) 140	12	16
FUS (XL) 280 FKS (XL) 280	8	16
FUS (XL) 560 FKS (XL) 560	8	14
FUS (XL) 1100 FKS (XL) 1100	6	10
FSV/XL	8	14



*Specifications for a standard V-300

Interex
Est. 1976

TRADING & MARKETING

www.interex-usa.com
info@interex-usa.com

