

Automatic H-CE Molten Products Hot Filler



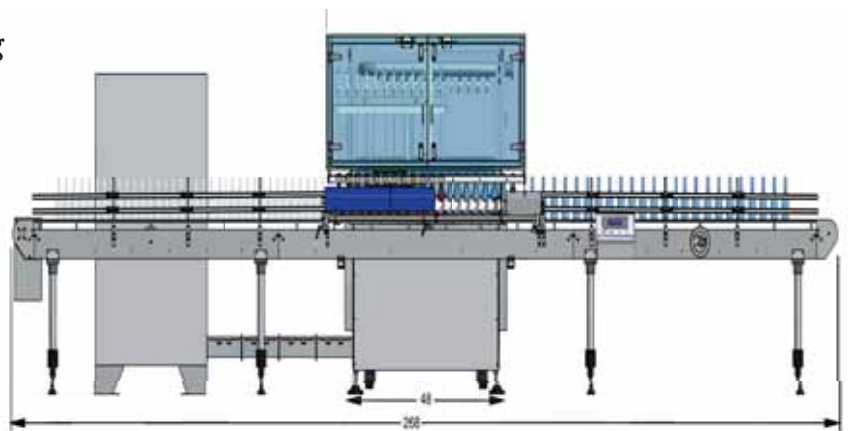
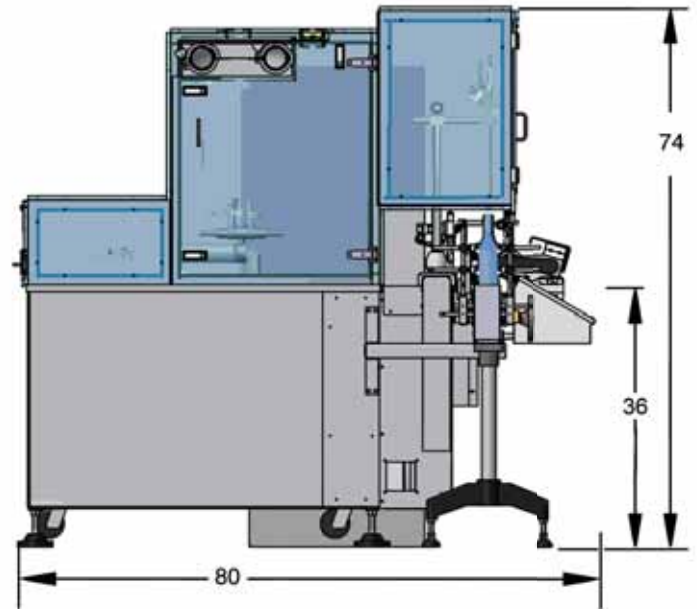
H-CE Molten Products
Hot Filling Machine

- Fills Liquids or Liquefied Solids up to 190 Degrees Fahrenheit
- Fills Molten Products (Lipstick, Lip Balm, Deodorants, Candle Wax, Ointments) with Ease and Precision
- All product contact parts (Filling Units, Nozzles, Hoses, and Manifold) are Enclosed in a Heated Chamber
- Programmable Controller
- Optional Servo Drive Remote Volume Adjustment
- Optional HMI Touchscreen
- Accommodates a Wide Variety of Container Sizes and Shapes

Molten Products Hot Filler Specifications

Additional Molten Filler Features:

- Filling Units can be Disassembled in Minutes for Cleaning, or can be Cleaned In Place with an Optional Flush-Back System
- Optional Hazardous Environment Designs Available
- Fill Ranges from 1mL to 1100mL per Stroke with a Fill Accuracy of $\pm 0.5\%$
- Fills up to 250 Containers Per Minute
- Locate, Bottom Up, or Static Fill Modes
- Optional Servomotor-Operated Walking Beam Assembly for Continuous-Motion Filling
- Integrates Easily with Upstream and Downstream Components such as Conveyors, Unscramblers, Cappers, and Labelers



Filamatic offers COMPLIMENTARY product testing and purchasing options including rentals and lease arrangements. For more information call 281-516-0500 or email info@interex-usa.com

