

## VORTEX™ TRAY DENESTER

**Independently drives screws to  
make changeovers fast and easy**

### **MATERIALS TYPICALLY HANDLED:**

Plastic Trays  
Paper Board Trays  
Fiber Molded Trays  
Clam-Shell Trays  
Flanged Lids  
Buckets  
Tubs



**MODEL:  
VORTEX™**

Model VORTEX™  
with 16" Tall Magazine

### **FEATURES & BENEFITS:**

- Simple design translates to an easy installation.
- Push button interface makes the machine simple to operate.
- Independent drives offers a smooth indexing motion.
- No belts or other wear parts.
- Quick and easy product changeover means less downtime and greater machine efficiency.
- Washdown construction available.

# VORTEX™ TRAY DENESTER

## TYPICAL UTILITY REQUIREMENTS:

**ELECTRICAL:** 115 VAC 10 Amps Max

## MAXIMUM SPEEDS:

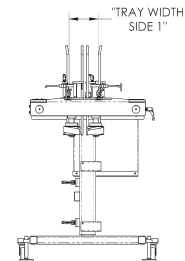
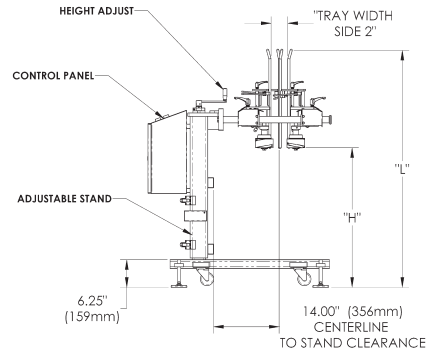
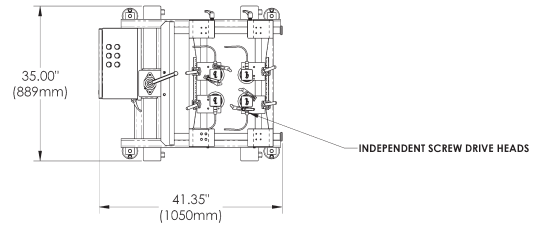
- 300 Cycles Per Minute

## OPTIONS AVAILABLE:

- Washdown construction with 230 VAC servo drives
- Batch Counting
- Extended Capacity Magazine
- Screw Height Adjustable Stand
- Stack Light with Audible Alarm
- Low Magazine Detection

## PRODUCT SIZE RANGE:

- Minimum: 2" (51 mm) x 2" (51 mm)
- Maximum: 12" (305 mm) x 16" (406 mm)



TRAY WIDTH (SIDE 1)		TRAY WIDTH (SIDE 2)		TRAY DISCHARGE HEIGHT ("H")		TRAY MAGAZINE LOAD HEIGHT ("L")	
MINIMUM	MAXIMUM	MINIMUM	MAXIMUM	MINIMUM	MAXIMUM	MINIMUM	MAXIMUM
4.00" (101.6mm)	12.00" (304.8mm)	4.00" (101.6mm)	12.00" (304.8mm)	31.50" (800mm)	42.00" (1067mm)	53.50" (1359mm)	64.00" (1626mm)