

TLC™ TOP LOAD CARTONING SYSTEM

The TLC™ Top Load Cartoning System including carton opening and top closing system with SCARA robotic loader



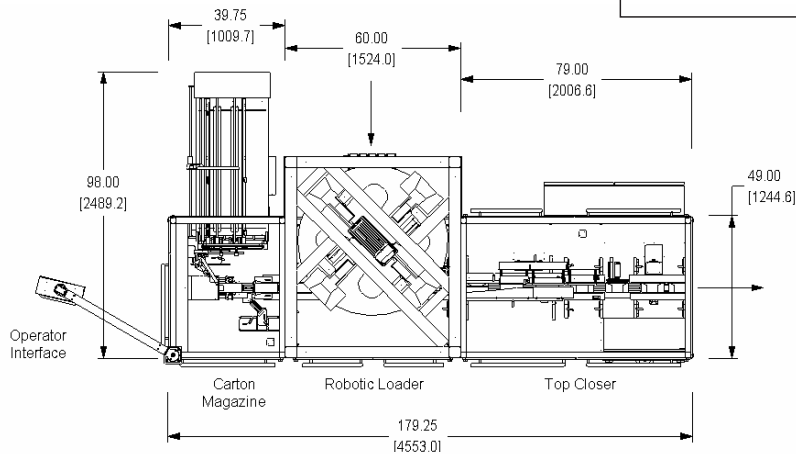
FEATURES & BENEFITS:

- Configurable for either auto lock style cartons or formed cartons providing flexibility for growth and cost savings.
- cGMP design is suitable for pharmaceutical/health care industry.
- Modular design allows modification to meet your future production requirements.
- Klean Top™ design saves time by shortening batch change cleaning.
- Servo technology combined with direct drives provide simple and robust design for a long component life and ease of maintenance.
- Tool-less changeover allows for fast and accurate format changes.
- Ergonomically designed carton magazine is easy to load limiting operator injury and strain.
- Compliant with the latest ANSI/PMMA B155.1 safeguarding standards ensuring regulatory compliance and your staff safety.
- Metric design meets international standards.
- Validation assistance documentation saves you money and time during start up and commissioning.

Suitable for all pharmaceutical, nutraceutical, parenteral, kit packaging and dry food applications

TLC™ TOP LOAD CARTONING SYSTEM

Standard Carton Size Range		
SIZE	L x W x H	SPEEDS
Minimum	2.00 x 1.75 x 2.00 in 50 x 45 x 50 mm	Up to 40 CPM
Maximum	9.00 x 6.00 x 8.00 in 230 x 150 x 200	Up to 30 CPM



BASE MACHINE:

- Carton Setup: Auto lock, KD style or flat blank former carton
- Magazine: Ergonomically designed horizontal powered magazine
- Guarding: Full height polycarbonate interlocked doors
- Quick and Accurate Changeover using Kwik Klip™ magazine masks, drop in plows and guides and no tool adjustments
- Validation Assistance Documentation
- Motion Control System: Allen-Bradley CompactLogix
- Operator Interface: Touch Screen HMI
- Power 230 VAC, 3 Phase, 50-60 Hz
- Air 15-25 SCFM @ 80 PSI typical
- Construction Design meets cGMP, top deck product containment with welded, painted frame

OPTIONAL FEATURES:

- Automatic product loaders (including robotic)
- Bar code verification
- Insert feeding
- Batch record data collection
- Coding/printing with verification
- Remote diagnostics