

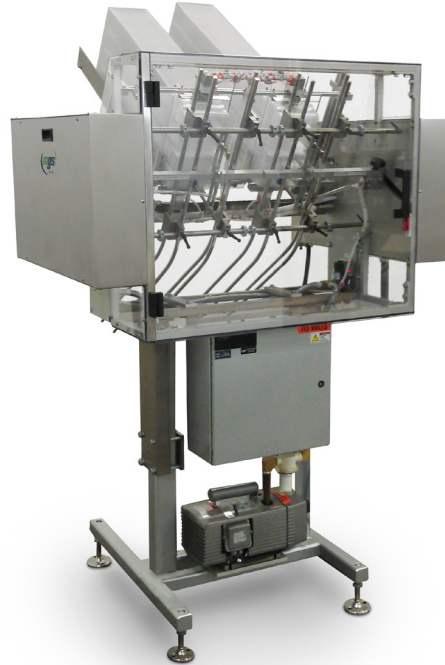
ITD™ INTERMITTENT TRAY DENESTER

DENESTER FOR HORIZONTAL PRESENTATION

MODEL:
ITD-100
ITD-200

MATERIALS TYPICALLY HANDLED:

Plastic Plates
Plastic Trays
Styrofoam Trays
Foil Trays
Paperboard Trays



Model ITD-200
28" Wide with
30" Long Magazine

FEATURES & BENEFITS:

- Standard construction incorporates a sanitary design suitable for most bakery or pharmaceutical installations. Washdown construction available for wet environment and food applications.
- Standard air cylinder drive offers a virtually maintenance free motion control and drive system.
- Quick and easy product changeover means less downtime and greater machine efficiency.
- Many options available, allowing the end user to customize the machine to their specific needs.

ITD™ INTERMITTENT TRAY DENESTER

TYPICAL UTILITY REQUIREMENTS:

ELECTRICAL: 115 VAC 10 Amps Max
(with pump)

AIR: 80 PSI Filter and Regulator Provided

VACUUM: Up To 10 SCFM At 20" HG

MAXIMUM SPEEDS:

- 70 Cycles Per Minute Vertical Placement Mode
- 60 Cycles Per Minute Horizontal Placement Mode

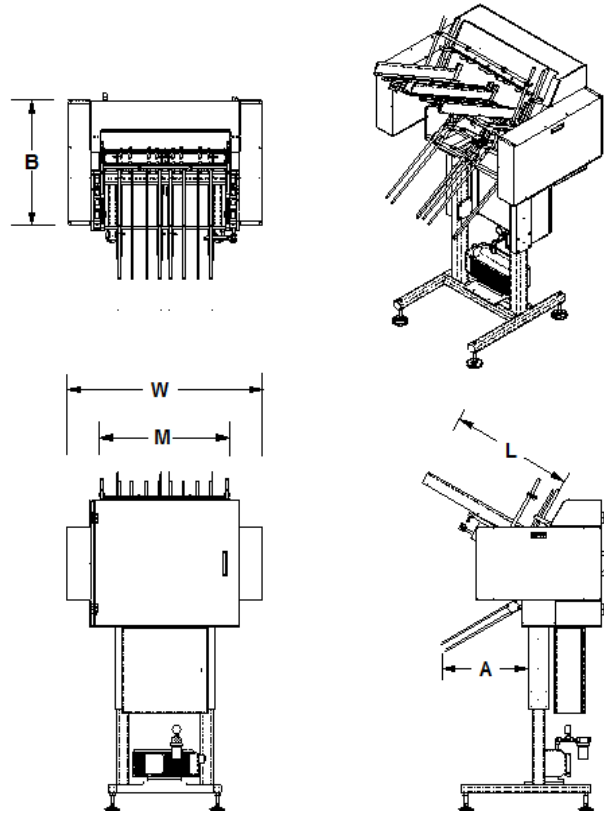
OPTIONS AVAILABLE:

- Screw Height Adjustment
- 18" or 28" Wide Machine
- Floor Stand
- Polycarbonate Front Guard
- 30, or 48" Long Magazine
- No Tool Magazine Changeover
- Quick Change Magazine
- Kwik Klip™ Assembly
- Venturi Vacuum System
- Photoelectric Cycle Control
- Missed Detection System with or without Buzzer
- Mechanical Drive
- Casters

PRODUCT SIZE RANGE:

- Height: 6, 9, 12, and 15" high magazines are available.
- Width: 18" and 28" wide magazines are available.

The maximum product size is determined by the magazine centers.



BASIC UNIT

MODEL	A	B
100	20"	29.15"
200	20"	29.15"

MAGAZINE

WIDTH		LENGTH
M	W	L
18"	33.50"	16.25"
		30"
28"	43.50"	48"