

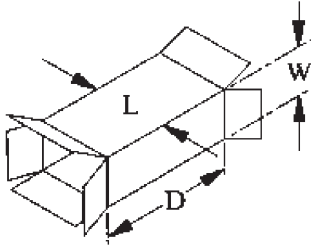
CT200™ CONTINUOUS MOTION CARTONER



FEATURES & BENEFITS:

- Speeds up to 200 cartons per minute.
- Small footprint requires less floor space.
- Touch screen user interface provides ease of operation and graphical machine feedback.
- Direct drive servo-based design reduces maintenance, provides greater accuracy at high speeds and simplifies changeover.
- Pre-designed infeed solutions provides flexibility in handling tubes, bottles and blisters as well as literature insertion either pre-folded or wraparound.
- Powered carton magazine provides ergonomic material loading.
- Standard carton pre-break eliminates carton setup failures.
- Captured main flight chains provide increased chain life and square cartons.
- Quick change tooling reduces changeover time and ensures the quality of the first product out.
- Robust design allows 24/7 operation.
- Construction fully adheres to ANSI/PMMA B1.55.1 safety and cGMP guidelines.
- Available Pharmaceutical Validation Assistance Documentation reduces commissioning efforts.

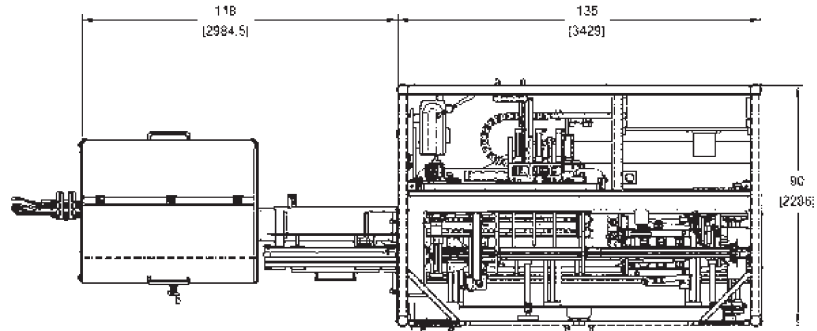
CT200™ CONTINUOUS MOTION CARTONER



CARTON PITCH	LENGTH	WIDTH	DEPTH	MAXIMUM CARTON RATE
6"	.75 - 4.0 in 19 - 100 mm	.38 - 4.50 in 9.5 - 114 mm	3.00 - 7.00 in 76 - 178 mm	200 CPM

CARTON STYLES:

- Economy or FOL Glue End
- Straight Tuck
- Reverse Tuck
- Fifth Panel Cartons



BASE MACHINE:

- Product Handling utilizing innovative, standard modules
- Magazine: 36" long, powered, horizontal
- Carton Opening: Rotary Carton Setup System with vacuum pre-break
- Product Loading: Three station, dual axes servo
- Carton Closing: All types of tuck and/or hot melt glue styles
- No Tool Changeover: Drop-in style magazine mask, plows and guides, phaseable flights, quick release handles, digital indicators and mounted scales
- HMI Touch Screen
- Allen-Bradley Logic and Motion Control System
- Welded and ground steel frame with rigid backplane for cantilevered product transport system
- Power 230 VAC, 3 Phase, 50-60 Hz
- Air 5 SCFM @ 80 PSI typical

OPTIONAL FEATURES:

- Insert Feeding
- Open Flap Detection
- Coding/Printing
- Vision Verification
- Bar Code Verification
- Pharmaceutical Validation Assistance Documents

Interex
Est. 1976

TRADING & MARKETING

www.interex-usa.com

info@interex-usa.com