

SIDEWINDER™ OUTserter

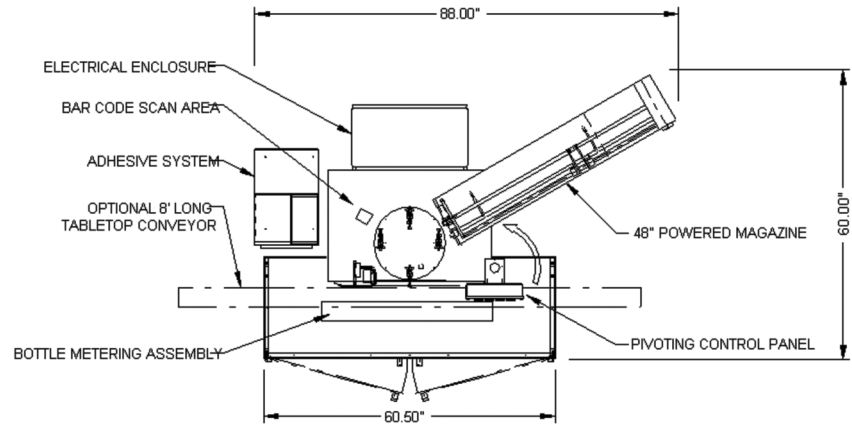


Front View with 48" Long
Powered Magazine and 8' Long
Tabletop Conveyor

FEATURES & BENEFITS:

- Versatile standard design allows the *SideWinder*™ to be supplied as a stand-alone machine, provided with a conveyor, or fit over an existing line.
- MGS' standard rotary motion is a proven design that creates a clean and simple picking motion and has years of field-tested experience.
- Clean GMP design eliminates the possibility of lost outserts in the machine and reduces time spent in outsert count validation.
- Easy-to-load horizontal powered magazine means a lower, more ergonomic magazine load height.
- Open station prior to outsert placement allows for additional functions, such as bar code scanning. This capability can greatly reduce waste and rework.
- Many options available such as various styles of bottle metering devices, allowing the end user to customize the machine to their specific needs.

SIDEWINDER™ OUTSERTER



STANDARD MACHINE FEATURES:

- Four-Head Rotary Outsert Feeder
- Screw Adjustable for Bottle Height
- Motor Vacuum System
- Allen-Bradley MicroLogix PLC
- Allen-Bradley Touchscreen Operator Interface
- Upstream and Downstream Surge Control
- Missed Outsert Feed Detector
- No Bottle, No Glue and No Outsert Control
- Nordson Model ProBlue 4 adhesive system with a Dual Orifice Gun
- FAT Protocol with IQ and OQ Documentation
- Electronic Manuals on CD
- Complies with ANSI/PMMI B155.1 Safety requirements
- Servo motor drive

MAXIMUM SPEEDS:

- Up to 120 BPM Random Cycle Mode
- Up to 250 BPM Continuous Mode

PRODUCT SIZE RANGE:

Outserts:

- Minimum: 1.13" L x 1.13" H x .13" Thick
- Maximum: 2.75" L x 4" H x .38" Thick

Target (Bottles or Cartons):

- Minimum: 1.25" A x 1.25" P x 2.63" H
- Maximum: 4" A x 4" P x 8" H

(A = Across Conveyor P = Parallel to Flow)

OPTIONS AVAILABLE:

- Machine Orientation Casters
- Powered Magazine - many lengths available
- Low Level Magazine Sensor
- Tabletop Conveyor
- Timing Screw Indexer
- Bottle Turning Modules
- Other Drive Options
- Venturi Vacuum System included
- Outsert Presence Detection
- Product Reject Station with Reject Verification
- Bar Code Scanner

TYPICAL UTILITY REQUIREMENTS:

ELECTRICAL: 230 VAC, 3 Ph, 50/60 Hz
SideWinder: 15 Amps Max
Glue System: 17 Amps Max

AIR: 80 PSI Filter and Regulator Provided

VACUUM: Up To 10 SCFM At 20" HG
(if optional pump is not purchased)



Interex
Est. 1976

TRADING & MARKETING

www.interex-usa.com
info@interex-usa.com