



A B S C I S S E

A complete range of sterilizable  
flush membrane  
**sampling cocks**

◆  
Long service life

◆  
Overall simplicity

◆  
Overall savings

◆  
Reliability



**REC** OR **RES**



THE BEST QUALITY/PRICE RATIO

# General

## Your Choice: REC and RES

Please refer to the last page for the REC and RES reference table.



Flame sterilizable



Sterilizing agent input



## Manufacturing

- Wetted parts are either stainless steel or elastomer
- 316L stainless steel body • Delrin knob and pusher (stainless steel optional)
  - Silicone membrane (EPDM, Nitrile and Viton optional)
- See flush membrane REV and REW in "Derivated concepts"



Ø 15



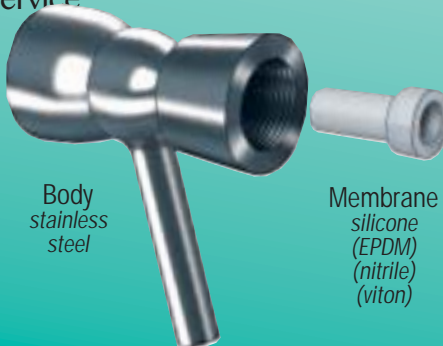
Ø 10



Ø 6

## Simple

- Sampling valves are made up of 6 components.
- Valves are easy and quick service



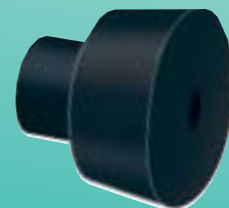
Body stainless steel

Membrane silicone (EPDM) (nitrile) (viton)



Pusher delrin (stainless steel)

Gland stainless steel



Rotary hand-button delrin - (stainless steel)

Pusher seal EPDM

## Safety

- Gland tightening is independent of the rotary hand-button.
- The rotary hand-button is free after complete unscrewing.
- Therefore unscrewing of the rotary hand-button, when opening the cock, does not result in untightening of the gland (no risk of tank drainage).



# connections

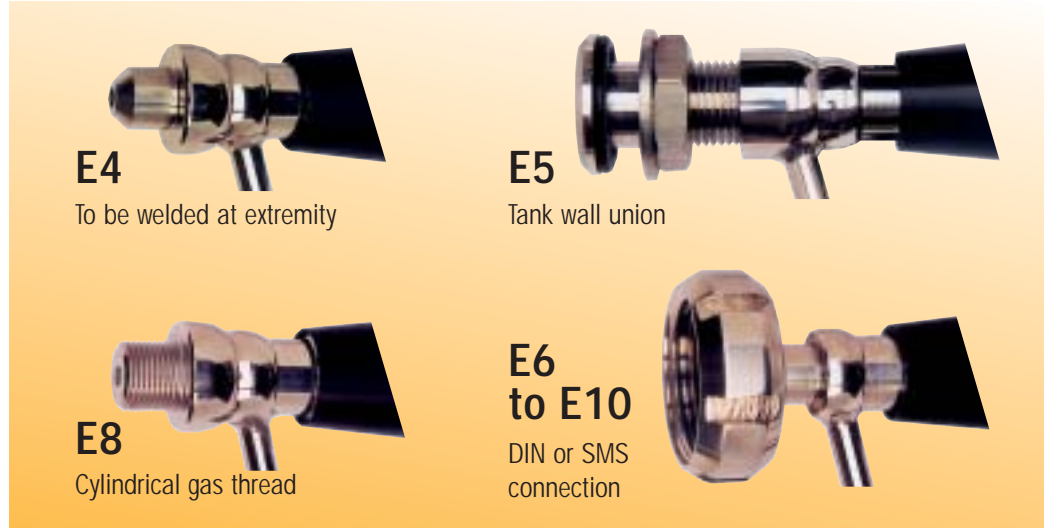
## Sample inlet (E) :

See technical data sheet

### E1 to E3 : Flush membrane



### E4 to E10 : Non-flush membrane



## Models to be welded on piping :

**REC** or **RES** welded on machined tube, membrane perfectly flush inside piping (inlet E2 V (vertical pipe) or E2 H (horizontal pipe)).  
(Fitting on piping of all diameters ND6 to ND200).



# automation

## Sample outlet (S)

Refer technical data sheet  
Can also be used to input  
sterilizing agent (N)

**S1**

Tube nozzle



**S2**

Gas threaded



**S3**

DIN thread  
(ND10 or ND15)



**S4**

Splined end or Staubli  
fast-release coupling



**S7**

Heat  
insulation  
recess fitting



## Pneumatic actuators

Application: REC or RES, ND6, ND10 and ND15.  
Easy to automatize on site. Simply replace the  
manual rotary hand-button with an actuator.

**Actuator  
normally closed  
(NF)**

Ref. REA\_Ø\_NF



**Actuator  
normally open  
(NO)**

Ref. : REA\_Ø\_NO



**Mixed control  
actuator**

Manual : sampling.  
Automatic : cycled opening  
during line cleaning.

Ref. REA\_Ø\_CM



**Actuator  
normally closed**

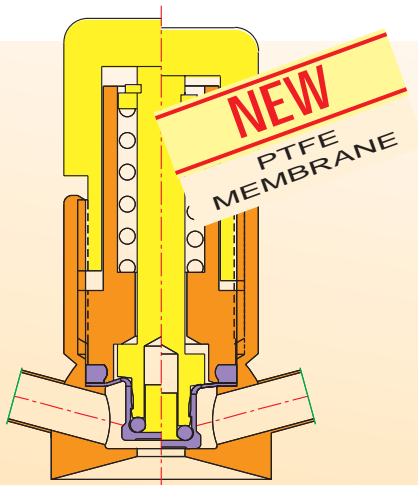
with "closed"  
limit stop contact.

Ref. : REA\_Ø\_DT



# Additional Solutions

Ask for technical data sheets which correspond to each product.



**REV & REW**  
 (all rights of use reserved)  
 PTFE flush membrane  
 sampling valve (chemically  
 resistant)  
 REV: flame sterilization.  
 REW: sterilizing agent input.



**REM**  
 Syringe sampling membrane support.



**LAP**  
 Automatic and automatic gas purging device  
 (electrical supply 24V or 220V).  
 (Assembly on air separator, optional).

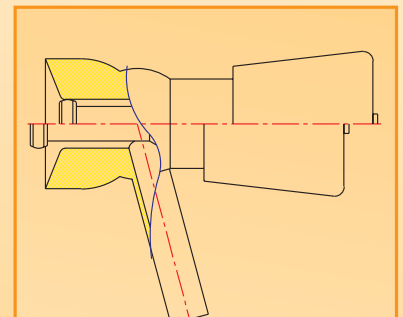


## Sealing of rotary hand-button

for REC or RES  
 Ref.: REC MAJ PL Ø



**RER**  
 Sampling valve with manual or  
 automatic rinsing system (for  
 viscous or solidifying products).



## REP & REQ

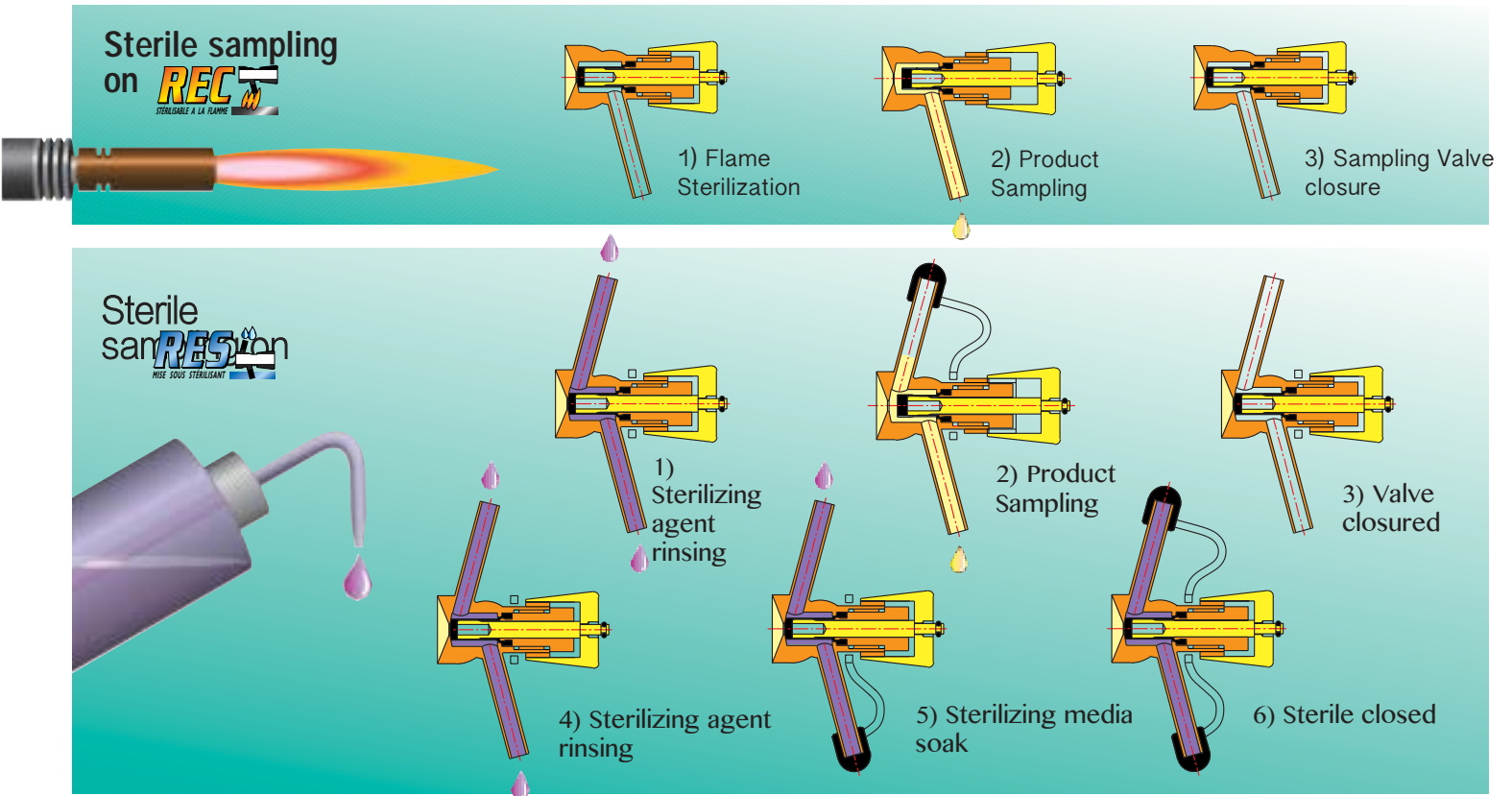
Sampling valve normally  
 closed, with pusher:  
 Push: open  
 Release: automatically closed



**RED**  
 Volumetric sample dosing device  
 with automatic cycle.  
 Sampling volume and frequency  
 adjustable according to the tank  
 volume.



# REC and RES Sampling Process



## REC or RES various model references

All REC or RES products					
Type selection	Nominal diameter	Inlet connection (hole: E)	RES option Sterilizing agent input connection (hole: N)	Outlet connection (hole: S)	Membrane quality
REC	6	E1	same as (E) N1 (standard)	S1 (standard)	S (silicone)
RES		E2V/E2H		S2	E (EPDM)
REV	10	E3	N3	S3 ( $\varnothing \geq 10$ )	V (viton)
REW		E4	N4	S4	P (nitrile)
REP	15	E5	N5	S6 ( $\varnothing \geq 10$ )	C (natural rubber)
REQ		E6	N6		
		E7	N7		T (PTFE) *
		E8	N8		
<b>RES</b>	<b>15</b>	<b>E6</b>	<b>N1</b>	<b>S4</b>	<b>V</b> <span style="color: blue;">▶ Example</span>

\* Exclusively for REV and REW.

## Some references

Applixion	Laboratoires L. Lafon	Reckitt & Colman
Aventis	Laboratoires Macors	Régilec
Beguinn Say	Laboratoires Parke Davis	Roquette
Boehringer Ingelheim	Laboratoires UPSA	Sanofi
Candia	L'oréal	Schweppes
Chambourcy	Nestlé	SIAS France
Coca Cola	Pasteur Mérieux	Smithkline Beecham
Colgate Palmolive	Permo	Sodiaal
Danone	Pernod Ricard	Tech Sep
Elida Fabergé	Procter & Gamble	V.M.I. Rayneri
Evian	Produits Roche	Volvic
Heineken	Raison	Yoplait

**Interex**  
Est. 1976

TRADING & MARKETING

[www.interex-usa.com](http://www.interex-usa.com)  
[info@interex-usa.com](mailto:info@interex-usa.com)