



A B S C I S S E

A complete range of sterilizable
flush membrane
sampling cocks

◆
Long service life

◆
Overall simplicity

◆
Overall savings

◆
Reliability



REC OR **RES**



THE BEST QUALITY/PRICE RATIO

general

Choice between REC and RES

Please refer to the last page for the REC and RES reference table.



Flame sterilizable



Sterilizing agent input



Manufacturing

Parts in contact with the product : stainless steel and elastomer

- 316L stainless steel body
- Delrin knob and pusher (stainless steel optional)
- Silicone membrane (EPDM, Nitrile and Viton optional)

See flush membrane REV and REW in "Derivated concepts"



Simplicity

- The valve consists of 6 components.
- All components can be dismantled without tooling.

Safety

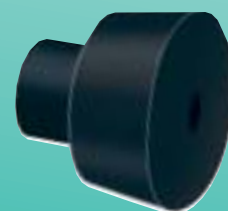
- Gland tightening is independent of the rotary hand-button.
- The rotary hand-button is free after complete unscrewing.
- Therefore unscrewing of the rotary hand-button, when opening the valve, does not result in untightening of the gland (no risk of tank drainage).



Membrane silicone (EPDM) (nitrile) (viton)

Pusher delrin (stainless steel)

Gland stainless steel



Rotary hand-button delrin - (stainless steel)

Pusher seal EPDM



Tél. : 33 (0)1 34 30 28 80 • Fax : 33 (0)1 34 30 28 90

BP 7728 - Z.I. VERT GALANT - 7, RUE DE LA GUIVERNONE - 95046 ST OUEN L'AUMÔNE CEDEX (FRANCE)

connections

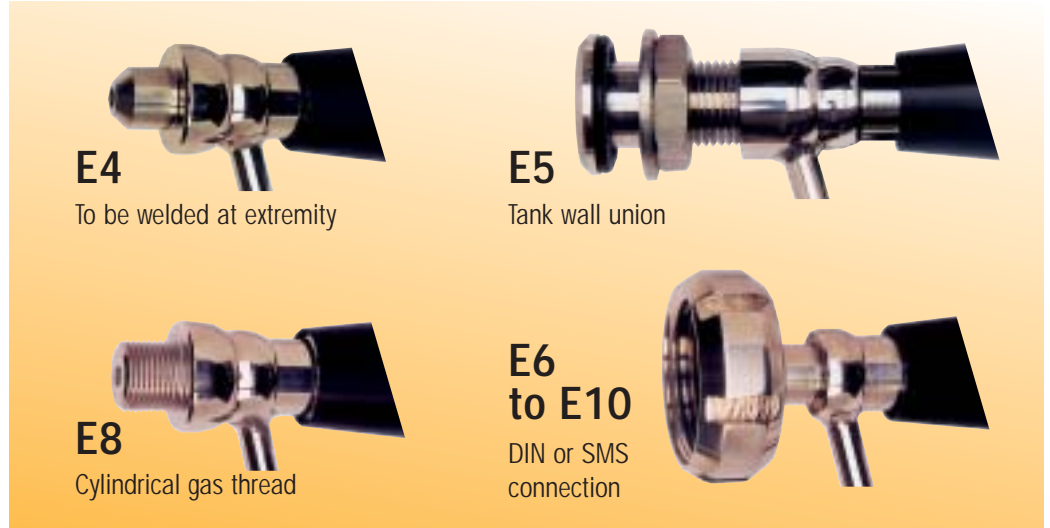
Sample inlet (E) :

See technical data sheet

E1 to E3 : Flush membrane



E4 to E10 : Non-flush membrane



Models to be welded on piping :

REC or **RES** welded on machined tube, membrane perfectly flush inside piping (inlet E2 V (vertical pipe) or E2 H (horizontal pipe)). (Fitting on piping of all diameters ND6 to ND200).



automation

Sample outlet (S)

See technical data sheet

Also valid for
Sterilizing agent input (N)

S1

Tube nozzle



S2

Gas threaded



S3

DIN thread
(ND10 or ND15)



S4

Splined end or Staubli
fast-release coupling



S7

Heat
insulation
recess fitting



Pneumatic actuators

for REC or RES, ND6, ND10 and ND15.

Simple to automatize on site by replacing the manual rotary hand-button by an actuator.

Actuator normally closed (NF)

Ref. REA_Ø_NF



Actuator normally open (NO)

Ref. : REA_Ø_NO



Mixed control actuator

Manual : sampling.
Automatic : cycled opening
during line cleaning.

Ref. REA_Ø_CM



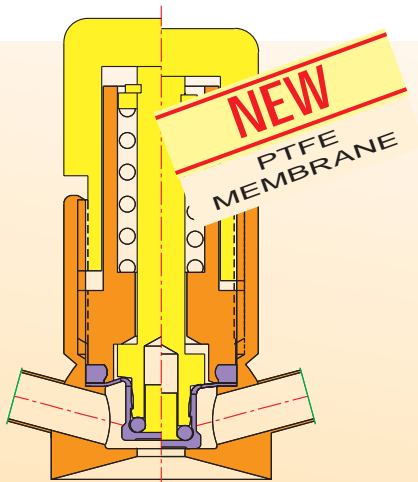
Actuator normally closed with "closed" limit stop contact.

Ref. : REA_Ø_DT



Derivated concepts

Ask for technical data sheets which correspond to each product.



REV & REW

(all rights of use reserved)

PTFE flush membrane

sampling cock (chemically resistant)

REV: flame sterilizable.

REW: sterilizing agent input.



REM

Syringe sampling membrane support.



LAP

Automatic and autonomical gas purging device (electrical supply 24V or 220V). (Assembly on air separator, optional).



Sealing of rotary hand-button

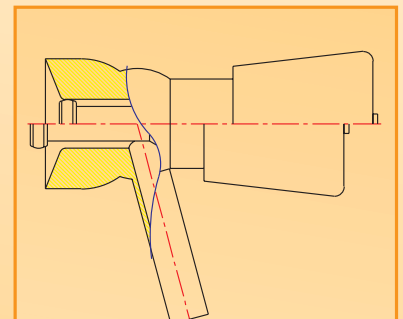
for REC or RES

Ref.: REC MAJ PL Ø



RER

Sampling cock with manual or automatic rinsing system (for viscous or solidifying products).



REP & REQ

Sampling cock normally closed, with pusher:

Push: open

Release: automatically closed



RED

Volumetric sample dosing device with automatic cycle.

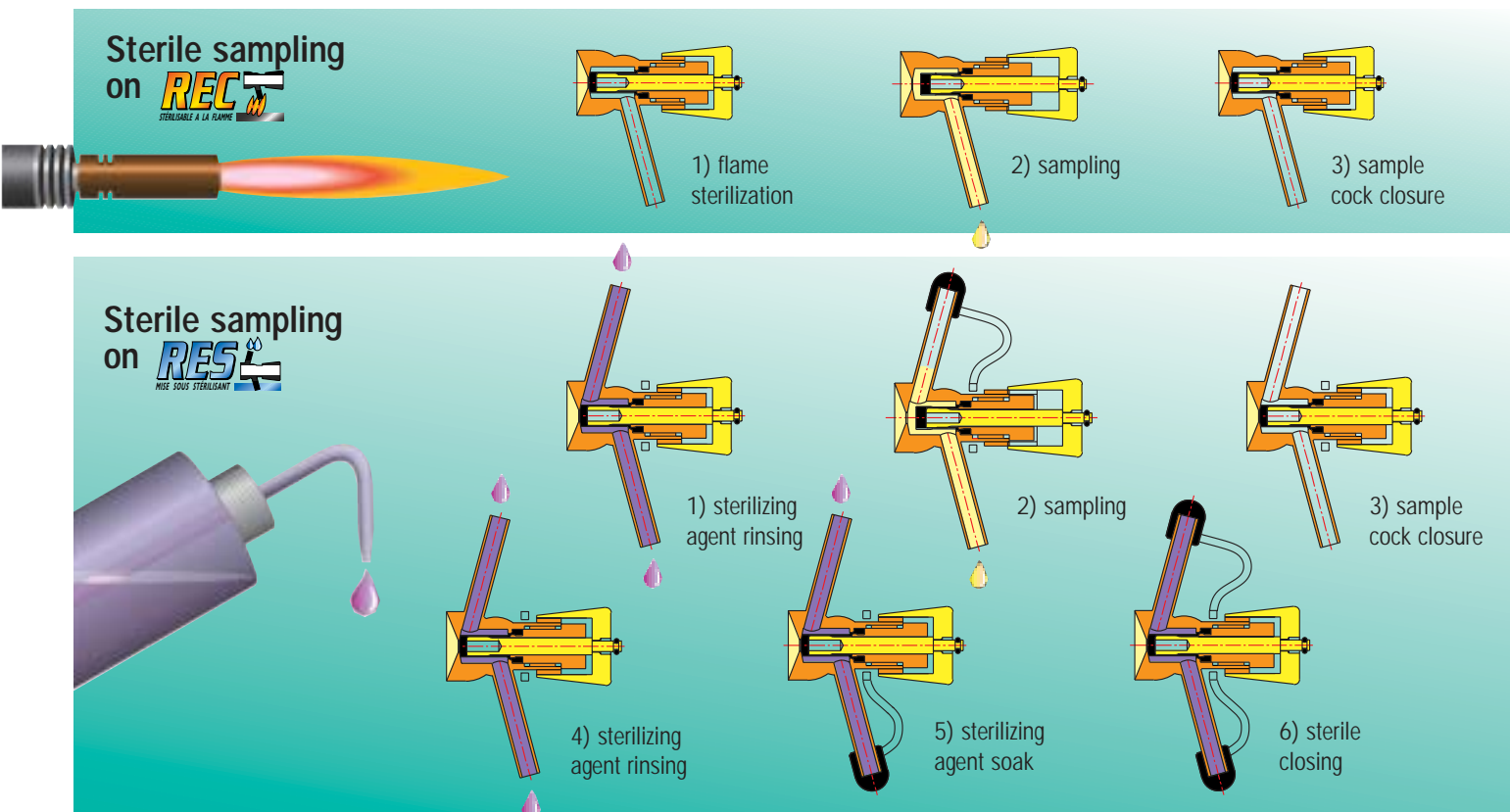
Sampling volume and frequency adjustable according to the tank volume.



Tél. : 33 (0)1 34 30 28 80 • Fax : 33 (0)1 34 30 28 90

BP 7728 - Z.I. VERT GALANT - 7, RUE DE LA GUIVERNONE - 95046 ST OUEN L'AUMÔNE CEDEX (FRANCE)

REC and RES sampling procedure



various model references

Personally select the reference of the product to be ordered, from the table below:

All REC or RES products

Type selection	Nominal diameter	Inlet connection (hole: E)	RES option Sterilizing agent input connection (hole: N)	Outlet connection (hole: S)	Membrane quality
REC	6	E1	same as (E) N1 (standard)	S1 (standard)	S (silicone)
RES		E2V/E2H		S2	E (EPDM)
REV	10	E3	N3	S3 (Ø ≥ 10)	V (viton)
REW		E4	N4	S4	P (nitrile)
REP	15	E5	N5	S6 (Ø ≥ 10)	C (natural rubber)
REQ		E6	N6		
		E7	N7		T (PTFE) *
		E8	N8		
RES	15	E6	N1	S4	V Example

* Exclusively for REV and REW.

Some references

Applixion
Aventis
Beguin Say
Boehringer Ingelheim
Candia
Chambourcy
Coca Cola
Colgate Palmolive
Danone
Elida Fabergé
Evian
Heineken

Laboratoires L. Lafon
Laboratoires Macors
Laboratoires Parke Davis
Laboratoires UPSA
L'oréal
Nestlé
Pasteur Mérieux
Permo
Pernod Ricard
Procter & Gamble
Produits Roche
Raison

Reckitt & Colman
Régilec
Roquette
Sanofi
Schweppes
SIAS France
Smithkline Beecham
Sodiaal
Tech Sep
V.M.I. Rayneri
Volvic
Yoplait

Interex
Est. 1976

TRADING & MARKETING

www.interex-usa.com
info@interex-usa.com